

KARISMA GRATING CLIPS



KARISMA GRATING CLIPS

KARISMA GRATING has a range of fixing clips and accessories available for use with the various grating range.

Installation clips:

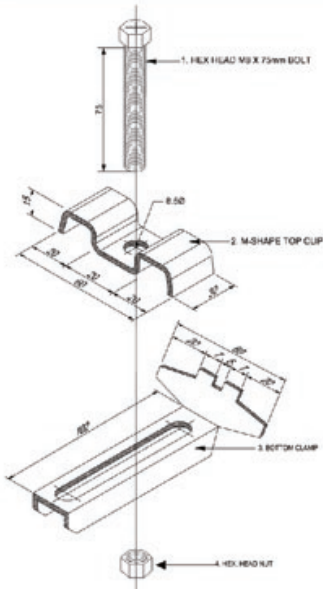
- Clips are suitable to install whilst working on top of the grating
- The fastener is designed for use with either Type 30, 40 or even 60 grating profiles
- Adjoining grating panels can be secured with the same fastener
- By using the top portion of the fastener, combined with a self drilling screw, grating can be secured to areas where no flanges are available on the supporting structure

RECOMMENDED CLIP INSTALLATION

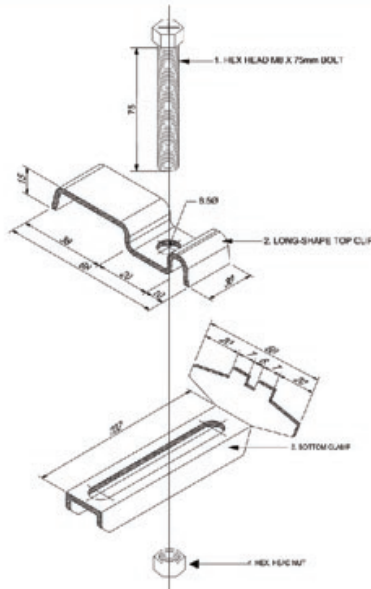
- Minimum 4 clips per panel
- Approximately 4 clips per panel, where the span is < 1500mm
- Approximately 6 clips per panel, where the span is > 1500mm

Karisma Grating Clips are available in mild steel galvanized and 304/316 Stainless Steel for TGC - 01 & TGC - 02, TGC - 03 only available in 304/316 Stainless Steel.

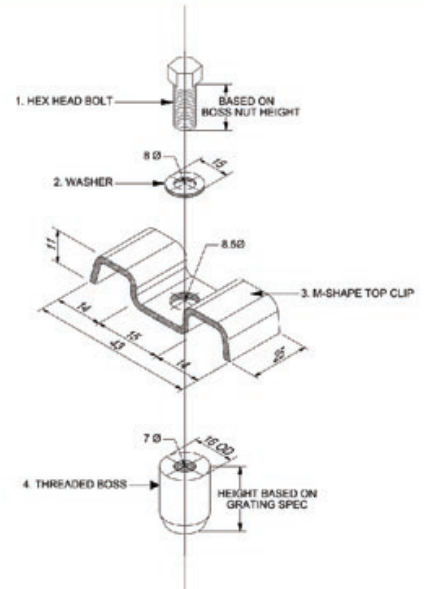
TYPE TGC 01



TYPE TGC 02



TYPE TGC 03



FASTENING METHOD

